



CONNECTORS





Connectors
 Page 70 - 73



Angled Connectors
 Page 74, 75



Connectors with
 Suspension Ring
 Page 74, 75



Preferred scopes



Construction Industry



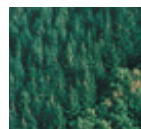
Camping site



Industry



Building Services



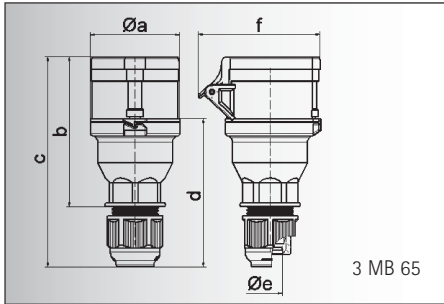
Farming



Harbour and Shipbuilding

CONNECTORS

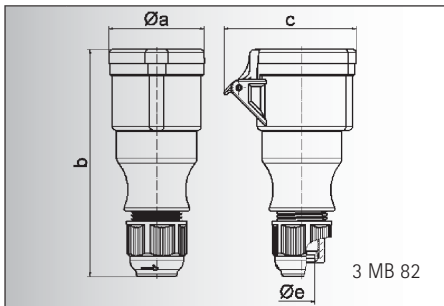
16A and 32A and partially 63A with screwless Quick-Connect technique
IEC 60309-1/2, EN 60309, VDE 0623
protection degree IP 44



Ampere	16	16	16	32	32	32
Poles	3	4	5	3	4	5
a Ø	53,0	60,0	66,0	74,5	74,5	74,5
b	100,5	112,5	113,5	133,5	133,5	134,5
c	141,0	153,0	154,0	186,0	186,0	187,0
d	97,5	104,5	105,5	127,5	127,5	128,5
e Ø	18,0	18,0	18,0	23,0	23,0	23,0
f	76,0	79,0	86,0	92,0	92,0	97,0
Cond. mm ² min	1	1	1	2,5	2,5	2,5
Cond. mm ² max	2,5	2,5	2,5	6	6	6

Connector Quick-Connect with Multi-Grip

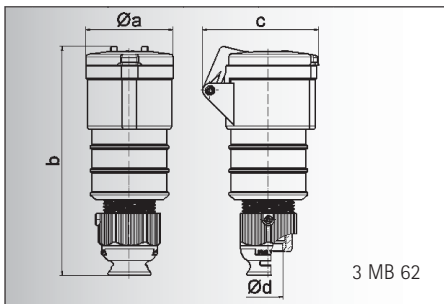
- screwless terminals
- screwless housing connection, self locking
- threaded lock
- Kontex-terminals
- special gland, simultaneous cable gland and seal
- protection degree IP 44



Ampere	16	16	16	32	32	32
Polzahl	3	4	5	3	4	5
a Ø	51,0	58,0	65,0	67,0	67,0	73,0
b	145,0	148,0	156,0	185,0	185,0	185,0
c	74,0	84,0	90,0	94,0	94,0	102,0
e Ø	18,0	18,0	18,0	23,0	23,0	23,0
Leiter mm ² min	1	1	1	2,5	2,5	2,5
Leiter mm ² max	2,5	2,5	2,5	6	6	6

Connector with Multi-Grip

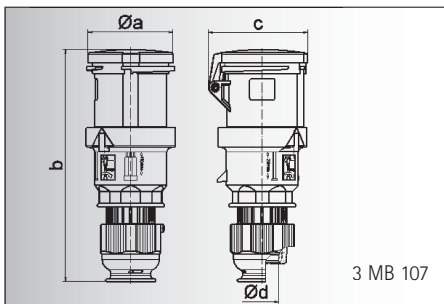
- screw terminals
- one piece housing
- special gland, simultaneous cable gland and seal
- Kontex-terminals
- protection degree IP 44



Ampere	16	16	16	32	32	32
Poles	3	4	5	3	4	5
a Ø	51,0	58,0	65,0	66,5	66,5	72,0
b	156,0	162,0	168,0	195,0	195,0	198,0
c	72,0	78,0	86,0	89,0	89,0	99,0
d Ø	18,0	18,0	21,0	23,0	23,0	27,0
Cond. mm ² min	1	1	1	2,5	2,5	2,5
Cond. mm ² max	2,5	2,5	2,5	6	6	6

Connector TE-Plus with Multi-Grip

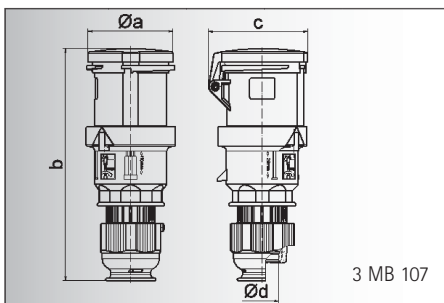
- screwless terminals
- high temperature resistant contact carrier
- Kontex-terminals
- nickel plated contacts
- special gland, simultaneous cable gland and seal
- protection degree IP 44



Ampere	63	63	63
Poles	4	5	5
a Ø	95,0	95,0	95,0
b	251,0	251,0	251,0
c	109,0	109,0	109,0
d Ø	36,0	36,0	36,0
Cond. mm ² min	6	6	6
Cond. mm ² max	16	16	16

Connector TE-Plus with Multi-Grip

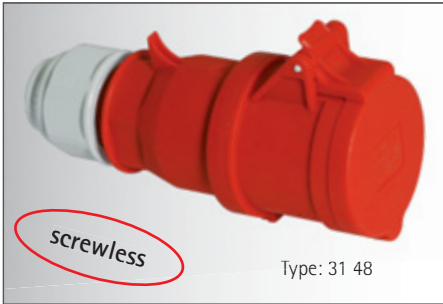
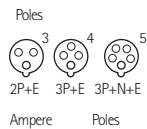
- screwless terminals
- screwless housing connection
- high temperature resistant contact carrier
- Kontex-Plus
- nickel plated contacts
- special gland, simultaneous cable gland and seal
- protection degree IP 44



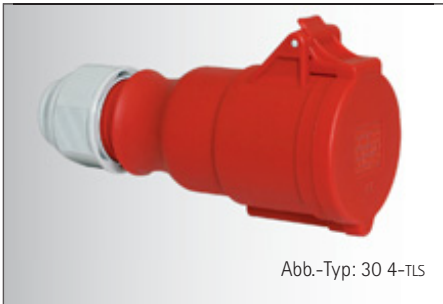
Ampere	63	63	63
Poles	3	4	5
a Ø	95,0	95,0	95,0
b	251,0	251,0	251,0
c	109,0	109,0	109,0
d Ø	36,0	36,0	36,0
Cond. mm ² min	6	6	6
Cond. mm ² max	16	16	16

Connector TE with Multi-Grip

- screw terminals
- screwless housing connection
- box terminals
- high temperature resistant contact carrier
- Kontex-Plus
- nickel plated contacts
- special gland, simultaneous cable gland and seal
- protection degree IP 44



16	3	31 25	31 26					10	145
16	4		31 29	31 30				10	175
16	5		31 35	31 36				10	200
32	3	31 37	31 38					10	270
32	4		31 41	31 42				10	285
32	5		31 47	31 48				10	310



16	3	31 000-TLS	31 001-TLS	31 002-TLS	31 210-TLS	31 180-TLS	31 179-TLS	10	170
16	4	31 003-TLS	31 004-TLS	31 005-TLS	31 006-TLS	31 007-TLS	31 008-TLS	10	195
16	5	31 009-TLS	31 010-TLS	30 3-TLS	31 031-TLS	31 098-TLS	31 068-TLS	10	200
32	3	31 012-TLS	31 013-TLS	31 014-TLS	31 491-TLS			10	270
32	4	31 015-TLS	31 016-TLS	31 017-TLS	31 018-TLS	31 019-TLS	31 020-TLS	10	285
32	5	31 021-TLS	31 022-TLS	30 4-TLS	31 023-TLS	31 367-TLS	31 067-TLS	10	301

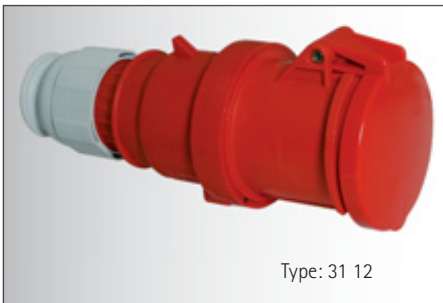


16	3	31 659	31 533	31 665	31 955	31 956	31 957	10	155
16	4	31 681	31 661	31 534	31 959	31 669	31 671	10	195
16	5	31 962	31 662	31 536	31 964	31 965	31 966	10	225
32	3	31 967	31 968	31 666	31 970	31 971	31 972	10	290
32	4	31 973	31 974	31 975	31 976	31 670	31 672	10	310
32	5	31 979	31 664	31 981	31 884	31 983	31 984	10	350



63	4			31 0490	31 0492			5	770
63	5			31 0494				5	825

External cable gland please see page 244.



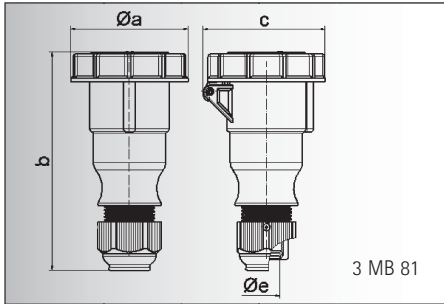
63	3	31 08	31 04	31 09	31 723	31 606	31 858	5	670
63	4	31 49	31 50	31 51	31 52	31 085	31 642	5	730
63	5	31 53	31 54	31 12	31 086	31 500	31 257	5	775

With PILOT contact use indicated part.-no. and add index „P“.

External cable gland please see page 244.

CONNECTORS

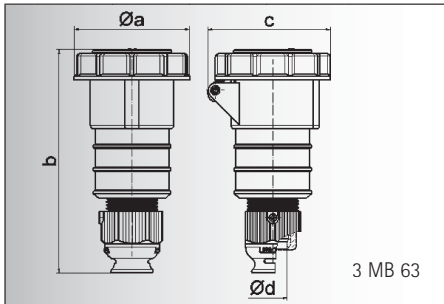
16A and 32A and partially 63A with screwless Quick-Connect technique
IEC 60309-1/2, EN 60309, VDE 0623
protection degree IP 67



Ampere	16	16	16	32	32	32
Poles	3	4	5	3	4	5
a Ø	70,5	78,0	86,5	94,0	94,0	101,5
b	154,0	155,0	160,0	190,0	190,0	190,0
c	77,0	83,0	93,0	99,0	99,0	107,0
e Ø	18,0	18,0	18,0	23,0	23,0	23,0
Cond. mm ² min	1	1	1	2,5	2,5	2,5
Cond. mm ² max	2,5	2,5	2,5	6	6	6

Connector with Multi-Grip

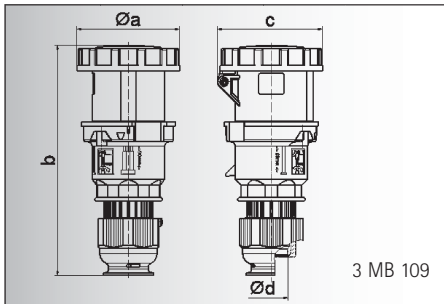
- screw terminals
- one piece housing/ (body)
- Kontex-terminals
- special gland, simultaneous cable gland and seal
- protection degree IP 67



Ampere	16	16	16	32	32	32
Poles	3	4	5	3	4	5
a Ø	70,5	78,0	86,5	94,0	94,0	101,5
b	161,0	161,0	168,0	196,0	196,0	200,0
c	77,0	83,0	93,0	99,0	99,0	107,0
d Ø	18,0	18,0	21,0	23,0	23,0	27,0
Cond. mm ² min	1	1	1	2,5	2,5	2,5
Cond. mm ² max	2,5	2,5	2,5	6	6	6

Connector TE-Plus with Multi-Grip

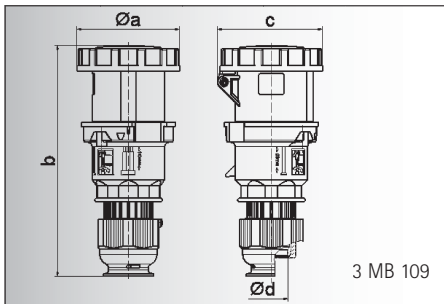
- screwless terminals
- high temperature resistant contact carrier
- Kontex-terminals
- nickel plated contacts
- special gland, simultaneous cable gland and seal
- protection degree IP 67



Ampere	63	63	63
Poles	3	4	5
a Ø	110,0	110,0	110,0
b	251,0	251,0	251,0
c	113,0	113,0	113,0
d Ø	36,0	36,0	36,0
Cond. mm ² min	6	6	6
Cond. mm ² max	16	16	16

Connector TE with Multi-Grip

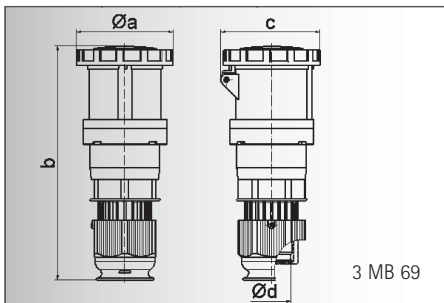
- screw terminals
- screwless housing connection
- box terminals
- high temperature resistant contact carrier
- Kontex-Plus
- nickel plated contacts
- special gland, simultaneous cable gland and seal
- protection degree IP 67



Ampere	63	63
Poles	4	5
a Ø	110,0	110,0
b	251,0	251,0
c	113,0	113,0
d Ø	36,0	36,0
Cond. mm ² min	6	6
Cond. mm ² max	16	16

Connector TE-Plus with Multi-Grip

- screwless terminals
- screwless housing connection
- high temperature resistant contact carrier
- Kontex-Plus
- nickel plated contacts
- special gland, simultaneous cable gland and seal
- protection degree IP 67



Ampere	125	125	125
Poles	3	4	5
a Ø	125,0	125,0	125,0
b	300,0	300,0	300,0
c	128,0	128,0	128,0
d Ø	50,0	50,0	50,0
Cond. mm ² min	16	16	16
Cond. mm ² max	50	50	50

Connector TE with Multi-Grip

- screw terminals
- screwless housing connection
- box terminals
- high temperature resistant contact carrier
- Kontex-Plus
- nickel plated contacts
- special gland, simultaneous cable gland and seal
- protection degree IP 67

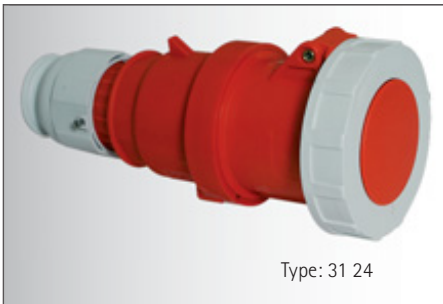
Poles		110V 50-60 Hz			230V 50-60 Hz			400V 50-60 Hz			500V 50-60 Hz			100-300Hz > 50V			301-500Hz > 50V			Qty	
Ampere	Poles	3pol 4h	4pol 4h	5pol 4h	3pol 6h	4pol 9h	5pol 9h	3pol 9h	4pol 6h	5pol 6h	3pol 7h	4pol 7h	5pol 7h	3pol 10h	4pol 10h	5pol 10h	3pol 2h	4pol 2h	5pol 2h	9	each



16	3	31 0331	31 0333	31 0334																10	191
16	4	31 0338	31 0339	31 0340																10	218
16	5	31 0344	31 0345	31 0346																10	245
32	3	31 0350	31 0351	31 0352																10	322
32	4	31 0356	31 0357	31 0358																10	334
32	5	31 0362	31 0363	31 0364																10	380



16	3	31 298	31 240	31 299	31 457															10	195
16	4	31 301	31 302	31 241	31 242	31 303	31 304													10	230
16	5	31 305	31 306	31 243	31 501		31 409													10	265
32	3	31 307	31 244	31 308																10	355
32	4	31 309	31 310	31 245	31 246	31 311	31 312													10	375
32	5	31 313	31 314	31 247	31 207		31 0415													10	420



63	3	31 80	31 81	31 82	31 724	31 605														5	725
63	4	31 83	31 84	31 85	31 86	31 504	31 251													5	785
63	5	31 87	31 88	31 24	31 082	31 505	31 183													5	830

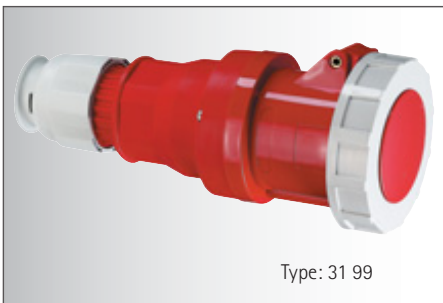
With PILOT contact use indicated part.-no. and add index „P“.

External cable gland please see page 244.



63	4			31 0491	31 0493															5	745
63	5			31 0495																5	825

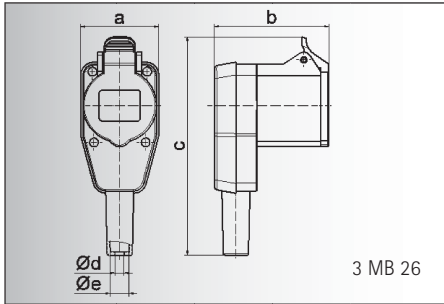
External cable gland please see page 244.



125	3	31 90	31 91	31 92																5	1130
125	4	31 93	31 94	31 95	31 96	31 611														5	1230
125	5	31 97	31 98	31 99	31 417															5	1350

With PILOT contact use indicated part.-no. and add index „P“.

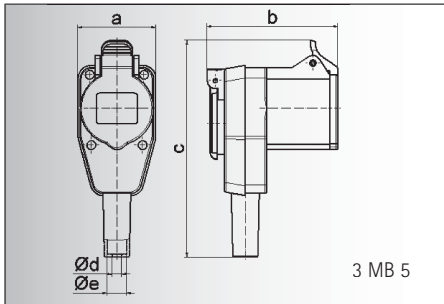
External cable gland please see page 244.



Ampere	16
Poles	3
a	54,0
b	79,0
c	139,0
d ø	6,5
e ø	13,0
Cond. mm² min	1
Cond. mm² max	2,5

Angled Connector

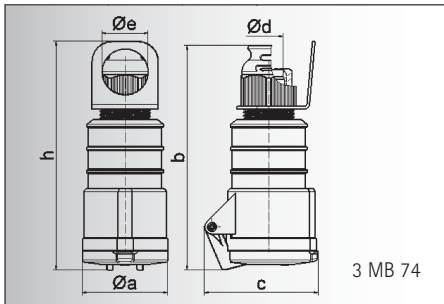
- screw terminals
- with long cable sleeve
- protection degree IP 44



Ampere	16
Poles	3
a	54,0
b	89,0
c	139,0
d ø	6,5
e ø	13,0
Cond. mm² min	1
Cond. mm² max	2,5

Angled Connector

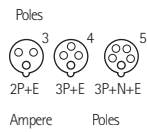
- screw terminals
- with socket outlet schuko type
- with long cable sleeve
- protection degree IP 44



Ampere	16	16	16	32	32	32
Poles	3	4	5	3	4	5
a ø	51,0	58,0	65,0	66,5	66,5	72,0
b	156,0	162,0	168,0	195,0	195,0	198,0
c	72,0	78,0	86,0	89,0	89,0	99,0
d ø	18,0	18,0	21,0	23,0	23,0	27,0
e ø	39,5	39,5	35,5	48,5	48,5	44,5
h	167,5	173,5	171,5	208,0	208,0	205,0
Cond. mm² min	1	1	1	2,5	2,5	2,5
Cond. mm² max	2,5	2,5	2,5	6	6	6

**Connector with suspension ring
TE-Plus with Multi-Grip**

- screwless terminals
- suspended hook
- high temperature resistant contact carrier
- Kontex-terminals
- nickel plated contacts
- special gland, simultaneous cable gland and seal
- protection degree IP 44



110V
50-60 Hz

230V
50-60 Hz

400V
50-60 Hz

500V
50-60 Hz

100-300Hz
> 50V

301-500Hz
> 50V

3pol 4pol 5pol
4h 4h 4h

3pol 4pol 5pol
6h 9h 9h

3pol 4pol 5pol
9h 6h 6h

3pol 4pol 5pol
7h 7h 7h

3pol 4pol 5pol
10h 10h 10h

3pol 4pol 5pol
2h 2h 2h

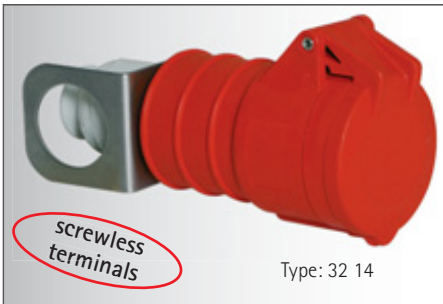
 9
Qty each



16	3		33 0							10	155



16	3		33 1							10	175



16	3	32 08	32 09							10	170
16	4			32 10	32 11	32 13	32 12			10	210
16	5			32 14						10	240
32	3	32 15	32 16							10	305
32	4			32 17	32 18	32 20	32 19			10	325
32	5			32 21						10	365

4